



VOL. 23, NO. 8
August 2015

NEWS

www.LongmontDairy.com

(303) 776-8466

Longmont Dairy Farm, Inc.

920 Coffey



AUGUST Back to School!

Dear Friends,

I hope that you're having a great summer. We are so blessed to live in such an amazing state that has so much to offer with the mountains, scenery and weather. In June we had our 50th anniversary celebration at the Colorado National Speedway. We had quite a turnout and a great night celebrating 50 years. Thank you to all of the loyal customers, employees and vendors that have helped us get where we are today.

With summer wrapping up, fall and back-to-school are right around the corner. I will shed a tear (or many) as my son starts kindergarten later this month. Additionally, I know my brother Dan and his wife can't believe their oldest daughter is already going to middle school. I'm sure this is how our parents felt about us, but it's crazy to see your own kids grow up so fast. We need to enjoy every second with them!!!!

Take Care,

Katie

Make Packing Lunch Easy with Back-to-School Snacks

For many families, the start of a new school year is very busy. Save time without skipping out on your kids' nutritional needs with these pre-packaged, single serving snacks that you can quickly pack into school lunches on busy mornings.

Tillamook Tilla-Moos Pack-it-Pals
Delicious and all-natural, there are ten individually wrapped cheese snacks per package. Try either Medium Cheddar Cheese or Colby Jack Cheese.

Tillamook Cheese Sticks
Packed with protein, and available in Medium Cheddar Cheese and Colby Jack Cheese. Each package contains ten individually wrapped cheese sticks.

Noosa Yoghurt 4-Pack
Handy 4-packs which come in either blueberry or tart cherry flavors. Each includes four single-serving 4-oz containers.

Fresh Almond Granola 4-Pack
All natural, gluten-free granola made with organic oats, toasted almonds and raw Colorado honey. It is a treat that's delicious by itself or with Noosa Yoghurt! Each pack has four single-serving 2-oz. pouches.



MILK RECIPES



Orange Spice French Toast

Give traditional French toast a tangy twist with orange juice!

- 3 Eggland's Best Eggs
- 2 Tbsp. Country Cream Butter
- ½ cup orange juice
- 6 slices of bread
- ½ tsp. cinnamon

Preheat oven to 400° F. Use a mixing bowl to whisk eggs, orange juice and cinnamon. Dip both sides of bread in egg mixture. Grease cookie sheet with butter. Arrange bread onto cookie sheet and bake in oven for 15-20 minutes or until golden brown. Sprinkle bread with powdered sugar and additional cinnamon (if desired) and serve with a glass of Longmont Dairy Milk.

Get Ready for After School Sports with Pro-to-Go and Chocolate Milk!

For many families, going back to school means starting after-school sports practice too. We have just what athletes need to stay hydrated and energized before, during and after workouts. Pro-to-Go whey protein fortified milk and chocolate milk are two healthy (and delicious) sports drink choices that offer different benefits.

- Enjoy Pro-to-Go before sports practice to fight hunger and prevent muscle breakdown.
- Chocolate milk is an effective sports recovery drink. Studies have shown that drinking chocolate milk after exercise helps to re-fuel tired muscles and replenish lost electrolytes and rehydrate after a workout.

We offer discounts on both of these delicious milk drinks.



Our Chocolate Milk 4-Pack is only \$7.99 for 4 quart size bottles and Pro-to-Go quantity discounts are available at only \$3.29 per quart when you order 4 or more quart bottles.



Learn about the Longmont Dairy Milk Journey at <http://www.longmontdairy.com/img/journey.jpg>

From Our Cows to Your Door — Overnight

1. The Farm

Our family has always owned our cows. They are wonderful, valuable animals and we keep them in the best possible health with great food from local farmers, regular visits from the vet and large spaces to roam or gather with their friends.

2. Milking

We milk our cows three times a day to keep them more comfortable. The milk from our cows goes through the milking system in the barn, and directly to storage tanks. It is picked up by a tanker truck every morning then delivered to our processing plant.

3. Bottling

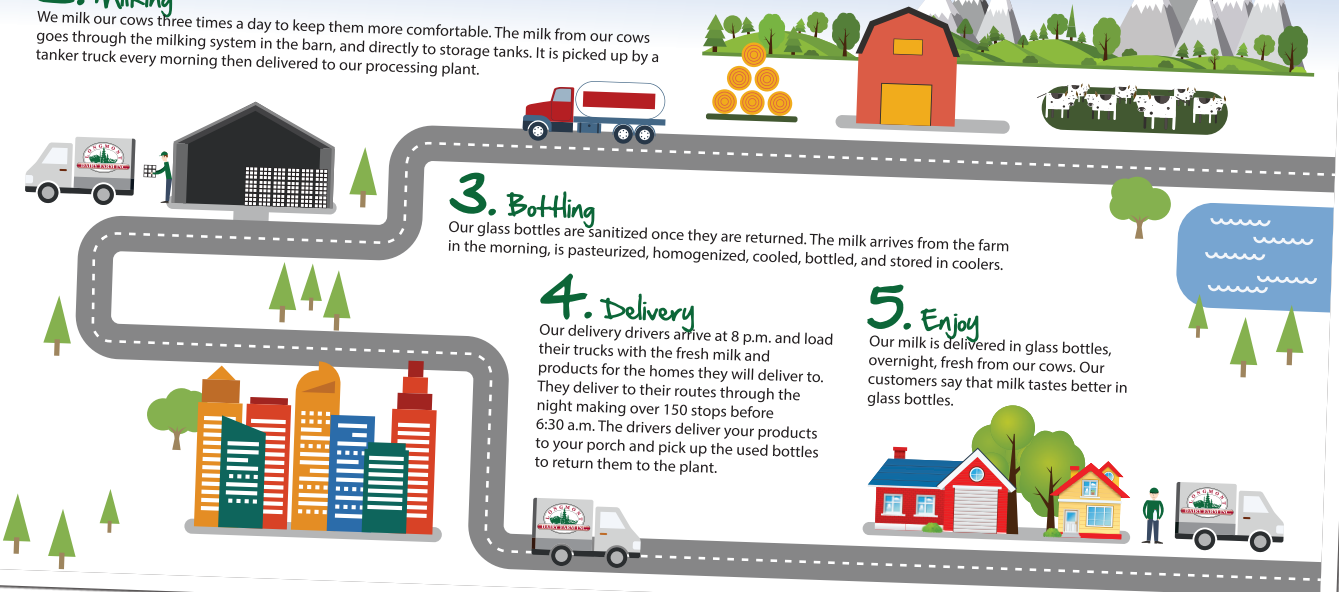
Our glass bottles are sanitized once they are returned. The milk arrives from the farm in the morning, is pasteurized, homogenized, cooled, bottled, and stored in coolers.

4. Delivery

Our delivery drivers arrive at 8 p.m. and load their trucks with the fresh milk and products for the homes they will deliver to. They deliver to their routes through the night making over 150 stops before 6:30 a.m. The drivers deliver your products to your porch and pick up the used bottles to return them to the plant.

5. Enjoy

Our milk is delivered in glass bottles, overnight, fresh from our cows. Our customers say that milk tastes better in glass bottles.



Moo News, August 2015

It's Time for the Annual Eggnog Holiday Bottle Design Contest!

Deadline—August 14, 2015

Winning design appears on the 2015 Eggnog Bottles

Our 50 year anniversary celebration ties into this year's contest theme, Longmont Dairy's Classic Christmas. Help us celebrate 50 years with your best vintage bottle design. Submit your entry by August 14, 2015. The winner will be announced on our website and will have their design featured on thousands of our 2015 Holiday Eggnog bottles.

Contest Rules:

Your drawing must fit vertically within a 1½" x 4½" rectangle. Use the template on the reverse side of this issue. The entry form and drawing template are also available at www.longmontdairy.com/bottle_contest_entry.php.

To draw, please use black plus only one color. Include your name, age, school and address and send it to "Eggnog Bottle Contest," PO Box 998, Longmont, CO 80502-0998 or email your drawing to amyw@longmontdairy.com.

Name: _____ Age: _____

Address: _____ Grade: _____

Phone: _____ School: _____



Prices effective July 1, 2015

Whole Milk ½ Gallon - \$2.99 1 Quart - \$2.32	Country Cream Butter 1 lb. - \$6.29
Reduced Fat Milk - 2% ½ Gallon - \$2.99 1 Quart - \$2.32	Grassland Spreadable Butter* 8 oz. - \$2.99
Low Fat Milk - 1% ½ Gallon - \$2.99 1 Quart - \$2.32	Daisy Cottage Cheese 24 oz. - \$5.74
Fat Free Milk - Skim ½ Gallon - \$2.99 1 Quart - \$2.32	Daisy Sour Cream* 16 oz. - \$3.69
Half and Half 1 Quart - \$3.59 1 Pint - \$2.49	Tillamook Cheese See website for flavors. Block (16 oz.) - \$7.29 (\$7.99 for Extra Sharp only) Shredded (8 oz.) - \$4.29* Sliced (8 oz.) - \$4.29* Pack-It-Pals (10 - ¾ oz. servings) - \$4.99* Sticks (10 - ¾ oz. sticks) - \$4.99*
Whipping Cream 1 Quart - \$6.09 1 Pint - \$3.69	Egg-Land's Best Eggs Locally Grown AA Large Brown Cage Free 1 Dozen - \$4.25 AA Large White 1 Dozen - \$3.10
Chocolate Milk (2%) 1 Quart - \$2.59 4-Pack - \$7.99	Enjoy Biscotti Granola 4 - 2 oz. packs - \$5.50
Strawberry Milk (2%) 1 Quart - \$2.32	Noosa Yoghurt* Plain, Blueberry, Peach, Lemon, Strawberry Rhubarb, Mango, Raspberry, Honey, Tart Cherry, Passion Fruit, Coconut, Pineapple Purchase Individually: 8 oz. - \$2.89 SAVE! Order 6 or more: 8 oz. - \$2.49 each
Pro-to-Go Protein Milk Vanilla or Chocolate Purchase Individually: 1 quart - \$3.79 SAVE! Order 4 or more: 1 quart - \$3.29 each	4-pack Tart Cherry or Blueberry 4 - 4 oz. packs - \$6.79
Orange Juice ½ Gallon - \$3.95 1 Quart - \$2.59	Cookie Dough Chocolate Chip 3-pound tub - \$10.95
Talbot's Apple Juice ½ Gallon - \$4.29	Metal Porch Boxes \$57.50 - optional
Lemonade Regular or Raspberry ½ Gallon - \$2.99	
Bhakti Chai Tea 1 Quart - \$12.99	

* These products must be preordered.

Quantity Discounts apply to purchases of 20 or more ½ gallon bottles of milk per month (if there is no previous balance on your account).

Weekly Minimum Delivery: 3 items.

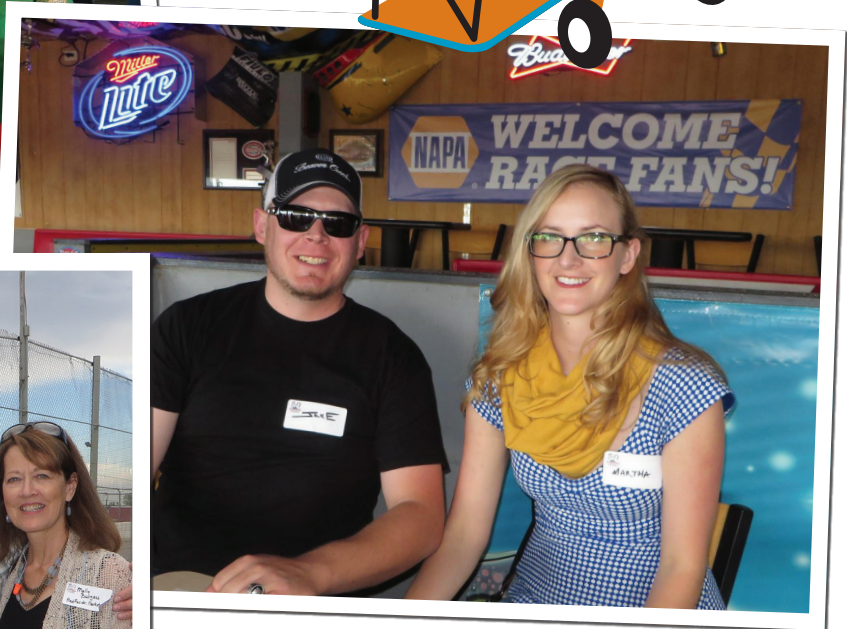
Delivery Charge - \$1.00 (per delivery)

©2015 Longmont Dairy Farm, Inc.

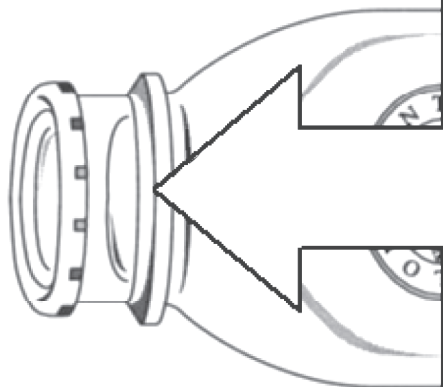




Celebrating 50 years!



We had a great time celebrating our 50th Anniversary with employees, longtime vendors and their families at the Colorado National Speedway. We are thankful for all the great people that helped us get here!



Design your Eggnog Bottle here, or within a 4 1/2" x 1 1/2" rectangle.

You can use the above rectangle as a guide. Be sure to include your name and address on the reverse side of your entry.